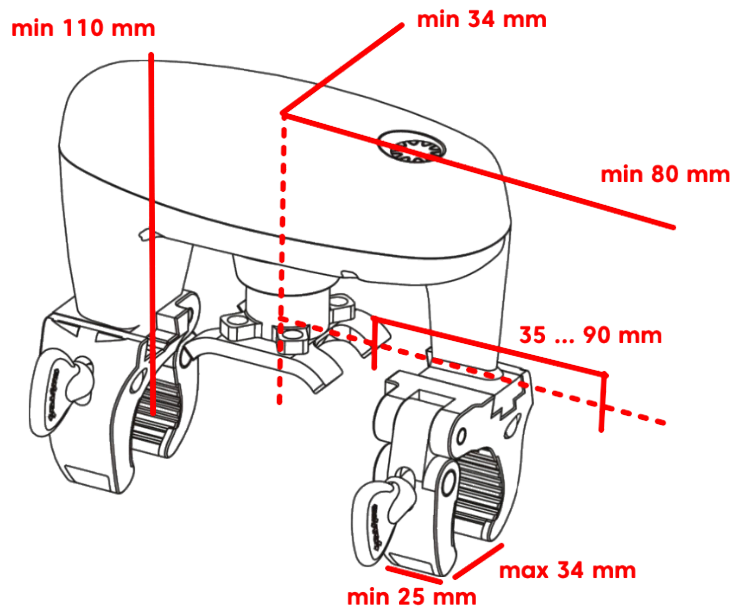


# Installation requirements for ball valve actuator (BVS\*\*\*\*)

To install the ball valve actuator, certain mechanical conditions must be met:

- Distance from the center of the pipe to the wall behind the pipe: at least 35 mm.
- All structures (wall, pipes leading upward/downward from the boiler) must be at least 80 mm away from the valve's pivot point on both the right and left sides.
- On a stretch between 25 and 90 mm away from the center of rotation, there must be a structure on both sides narrower than 34 mm in diameter over a length of at least 25 mm to secure the motor using the adjustable clamps.

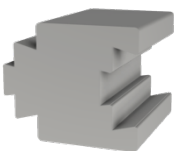


**Special Cases:** If necessary, contact our support at [support@aqua-scope.com](mailto:support@aqua-scope.com), who will assist you.



#### **Elbow Doctor SKU: ACCBVS02 EAN: 4251295783536**

If the pipe bends between 35 and 90 mm from the valve center, the "Elbow Doctor" allows installation even on a bent pipe.



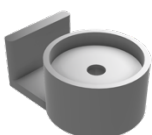
#### **25 mm Spacer SKU: ACCBVS04 EAN: 4251295783567**

If the lever of the ball valve is strongly angled upwards and higher than the standard ball valve, a 25 mm spacer can be installed between the adjustable clamps and the main device.



#### **Adapter for Double-Sided Ball Valves SKU: ACCBVS01 EAN: 4251295783529**

Some ball valves are operated not with a long lever but with two relatively short levers. In this case, the coupling fork of the ball valve actuator may not correctly grip the two short levers, or there may be no central nut for adjusting the pivot point. The fork is then replaced by a special adapter.



#### **Adapter for Gerberit Ball Valves SKU: ACCBVS03 EAN: 4251295783550**

New Gerberit ball valves require a special metal adapter that is screwed directly onto the brass axis of the valve after the - usually blue or green - lever has been unscrewed.