



# Dual Pressure Sensor

SKU: DPSLWE01

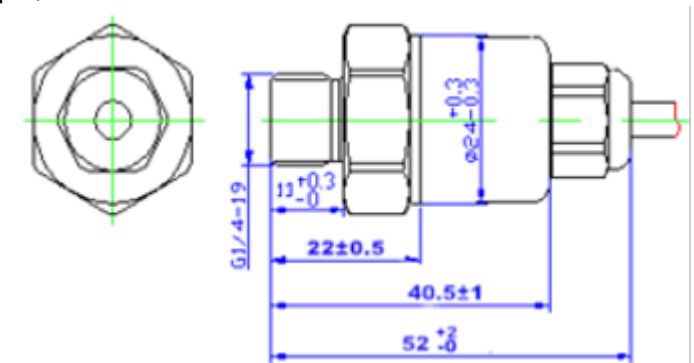
Version: 1.0.0



The Aqua-Scope water pressure sensor allows monitoring water pressure using one or two sensors connected by cable. Depending on the wireless network available the data will be communicated either to a WIFI or a LoRaWAN network. The wired water sensor(s) are connected to the liquid using a standardized 1/4 inch threading.

## Technical Data

- Power Supply: External USB Power Plug 5 V/ 1A
- Processor: ESP32-WROOM\_32E (Xtensa Dual Core 32 Bit, 240 MHz, 520 KB RAM)
- Wireless Connection:
  - WIFI ESP Built-in 2.4 GHz 802.11 b/g/n, bitrate in 'n' mode up to 150Mbps
  - Lora: SX1261, EU868 MHz, SF 7-12, TX16 dBm, RX: - 147 dBm @ 300 bps, Class A
- ADC: ADS112C04, 4 channel, 16 bit, 1000 sample/s
- Water Pressure Sensor:
  - Range : 0 ... 1000 kPa (10 bar)
  - Overload: 150 % of maximum pressure
  - Connection: G 1/4 " female
  - Precision:
- External Sensor Pad
  - 4 sensing pins on both sides
  - Cable length: 150 cm
  - 3.5 mm water-proof jack
- Minimal Flow Speed:
  - With Pressure Reduction Valve (PRV):
  - Without Pressure Reduction Valve (PRV):
  - Pipe-Check:
- Dimensions (Main Device): Diameter = 66mm, Height = 20 mm
- Weight (Main Device): 50 gr



## Data Sheet: Dual Pressure Sensor (DPSLWE01)

- Water Proof: Main Device: IP 20, Pressure Sensors: IP 65
- User Interface: 3 color LED, single touchless button
- Environmental Conditions:
  - Shipment and Storage: -65 °C ... 100 °C
  - Operation: - 10 °C ... 50 °C
  - Rel. Humidity: 0...90 %

### **Information related to Drinking Water Directive EU 98/83/EC**

Certain parts of the device are exposed to drinking water and therefore subject to the European Drinking Water Directive. The used material CW509L which is in the list of approved of materials of the German Environment Agency (UBA) in the version from May 14th, 2020 under section 2.1.3.1.